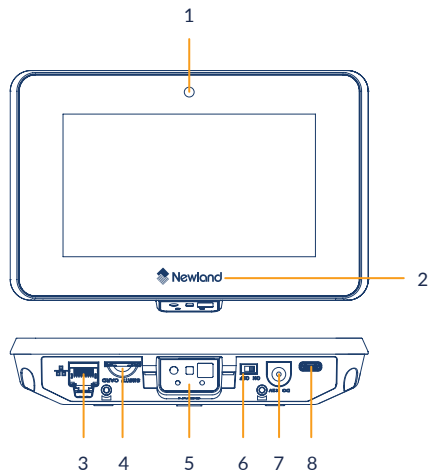
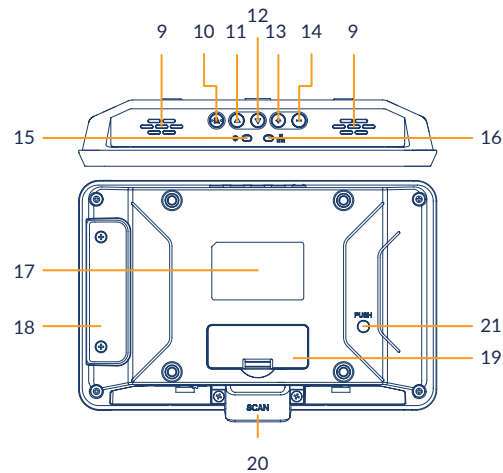


Front view



1	Camera	2	Logo LED #1
3	RJ45 Ethernet port	4	SIM/TF card slot
5	Barcode scanner (option)	6	Power switch
7	DC-In jack	8	Type-C USB port

Back view



9	Speaker	10	Menu key
11	Up key	12	Down key
13	Vol + key	14	Vol - key
15	Power LED indicator	16	Ethernet LED indicator
17	Product label	18	Expansion slot cover
19	Expansion slot cover	20	Barcode scanner (option)
21	Push-to-release-hole		



Visit our website
newland-id.com



NQUIRE 500
SKATE II